

NOMINAL SIZE (in inches)	DIMENSIONS H x W x D	RATED AIR FLOW (CFM)	MEDIA AREA (sq. ft.)	WEIGHT (lbs.)
24 x 24	23-5/16 x 23-5/16 x 3-13/16	2000	66	6.29
20 x 24	23-5/16 x 19-5/16 x 3-13/16	1670	54	5.24
12 x 24	11-5/16 x 23-5/16 x 3-13/16	1000	29	3.15
20 x 20	19-5/16 x 19-5/16 x 3-13/16	1390	44	4.37
20 x 16	19-5/16 x 15-5/16 x 3-13/16	1110	34	3.49
16 x 25	15-5/16 x 24-5/16 x 3-13/16	1390	43	4.37
20 x 25	19-5/16 x 24-5/16 x 3-13/16	1740	56	5.46

NOTES:

1. FILTER MEDIA: SYNTHETIC MEDIA WITH BACKER UPSTREAM
2. SEPARATOR MAT'L: THERMOPLASTIC RESIN
3. FRAME MAT'L: BLACK, EXTRUDED HIGH-IMPACT POLYSTYRENE REGRIND
4. SEALANT MAT'L: RESIN-BASED ADHESIVE

5. AVAILABLE SIZES (NOMINAL): SEE TABULATION BLOCK

FILTER SPECIFICATIONS:
 PLEAT DEPTH: 89 mm
 MAX. OPERATING TEMP: 175°F IN CONTINUOUS SERVICE
 MAX. REL. HUMIDITY: 99%

FRAME TOLERANCES:
 LENGTHS: +0.000 / -0.063"
 DIAGONALS: WITHIN 1/4" TOTAL ALLOWANCE FOR DIAGONALS ≥ 30 in.
 WITHIN 1/8" TOTAL ALLOWANCE FOR DIAGONALS < 30 in.

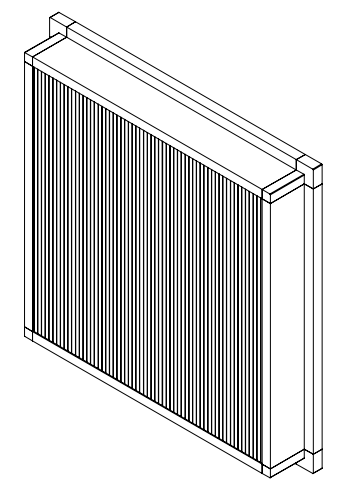
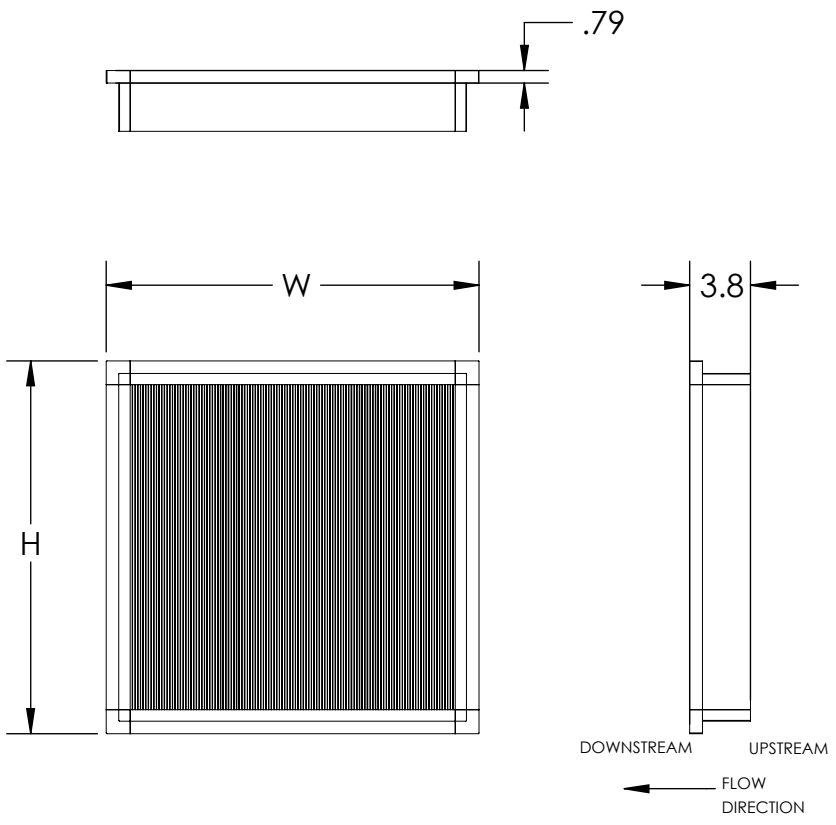
EFFICIENCY RATING:
 MERV RATINGS IN ACCORDANCE WITH ASHRAE 52.2

UL RATING:
 1. FILTER MEETS UL 900

PERFORMANCE NOTES:

1. SEE TABULATION BLOCK FOR AIRFLOW CAPACITY.
2. INITIAL PRESSURE DROP (in. w.g.)

EFFICIENCY	PRESSURE DROP
MERV 11	0.55
MERV 13	0.52
MERV 15	0.68



CUSTOMER APPROVAL BLOCK

YOUR APPROVAL OF THIS PRINT AUTHORIZES CAMFIL USA INC. TO PROCEED WITH MATERIAL PROCUREMENT, TOOLING, AND PRODUCT FABRICATION. ANY CHANGES MADE AFTER APPROVAL MAY INCUR FURTHER EXPENSES TO THE CUSTOMER.

OK AS IS SEND REVISED DWG.

SIGNATURE/DATE: _____

COMPANY NAME: _____

APPROVED BY: AA DATE: 2/23/2022 DRAWN BY: SP DATE: 2/23/2022

© Camfil USA Inc.

DESCRIPTION
 OPTIPAC DURABLE HEADER
 4 INCH HEADER FILTER
 SALES DRAWING

SHEET 1 OF 1	DRAWING NUMBER 406972	REV. A
-----------------	--------------------------	-----------